

Astralite® *plus*

Minor Surgical and Examination Lights



Astralite® plus Real Operating Lights for Minor Surgery & Examination



“Brandon Medical is a UK manufacturer and designer of world-leading technology for the operating room, intensive care units and primary care institutions. For more than 65 years, Brandon Medical has provided healthcare professionals with reliable, high quality, affordable medical lighting. The continuous investment in our products allows us to meet the ever-changing needs of our customers, the healthcare industry and the patients it serves.”



Lights to suit all of your clinical needs

Brandon Medical is able to provide a comprehensive range of LED medical lights to suit all of your clinical needs. Brandon Medical's LED medical lights use the latest innovations in LED lighting technology to provide you with better performance and lower life time costs. The choice of medical lights we offer vary in light intensity, light colour, mounting structures and price so you can choose a light that meets all of your clinical examination needs.





The best lighting performance to suit your every need.

Higher Intensity

Astralite® *plus* provides 100,000 lux or 60,000 lux of intense bright light at 1m providing ample light for even the most demanding procedure.

Larger Illuminated Area

A large illuminated area of 195mm diameter makes it easy to illuminate large areas of tissue and to target the light on to the wound.

Deeper Cavity Illumination

The beams of light from Astralite® *plus* have a focus depth of 970mm to penetrate into deep cavities.

Higher Colour Rendition

Astralite® *plus* reproduces all of the visible colours naturally and accurately. The high $Ra > 94$ describes the exceptionally high quality of white light whilst the high $R9 > 92$ measurement describes how it accurately illuminates red tissue.

Astralite® plus Real Operating Lights for Minor Surgery & Examination



Large Movement Range

Astralite® plus is designed so that the light head can be positioned all the way around the couch to examine all parts of the patient. The 5 rotations allow easy positioning of the light beam from any angle.

Long Life

LED life is 50,000 hours which equates to more than 20 years of normal use.

Environmentally Friendly

Astralite® plus uses <30 Watt to produce 100,000 Lux or <18 Watt to produce 60,000 Lux. LEDs are mercury free, do not contain CFCs, POPs, VOCs, halogens or other harmful chemicals.

Economical

Never having to change a bulb for the lifetime of the product means that Astralite® plus is highly economical. LED is substantially more efficient at producing more surgical quality light for less power.



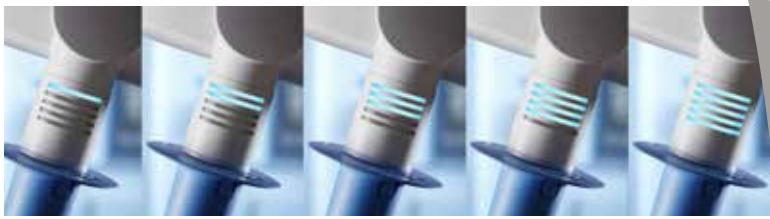


Variable Intensity Cold Light

LEDs only emit cold light without any infra red which is ideal for comfort and safety. Variable intensity control is provided to set optimum illumination levels for the procedure.

Indicator & Controls

Intensity can be controlled from the sterilisable handle or the control panel with LED indication of the set level.



Shadow Control

By spreading the LEDs across the whole lighting surface, a much better distribution of light is provided from the lamp head. This enables excellent shadow control to under-light obstructions during procedures.



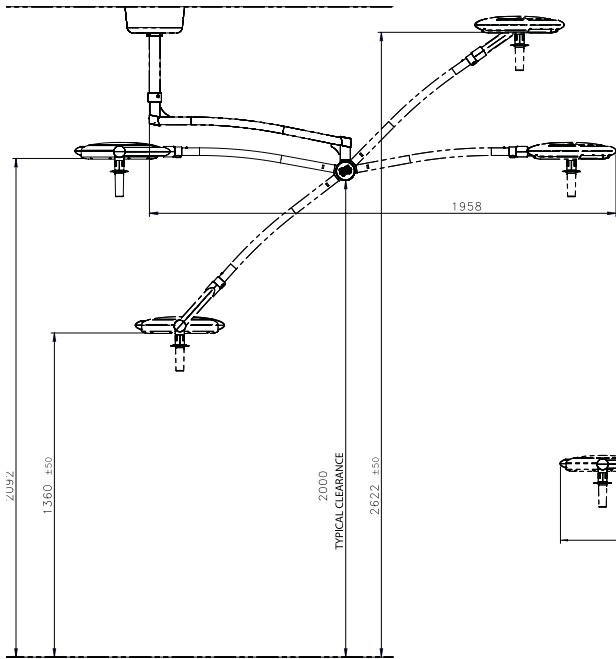
Hygienic Design

Astralite® *plus* light heads are a closed design, sealed to IP42 against dust and moisture. Surfaces are smooth without exposed fasteners to make them easy to wipe clean.

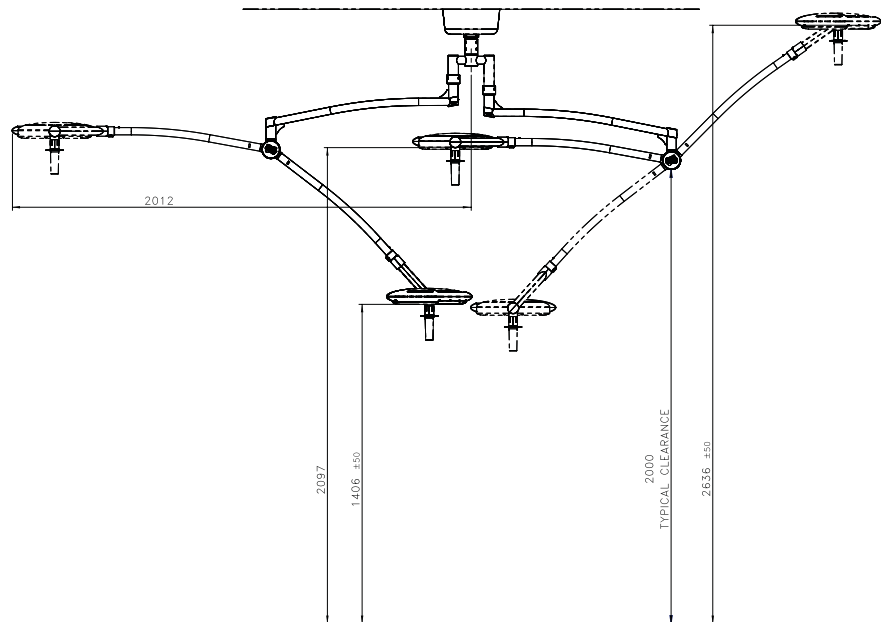
Astralite[®] plus Technical Information



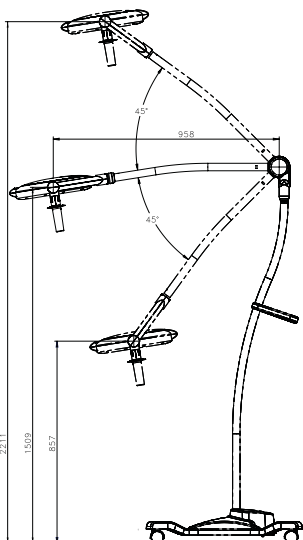
Ceiling Model



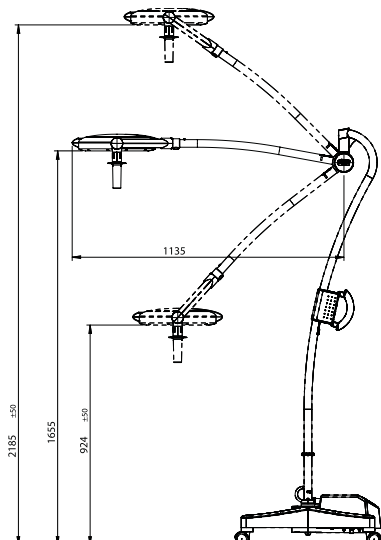
Tandem Model



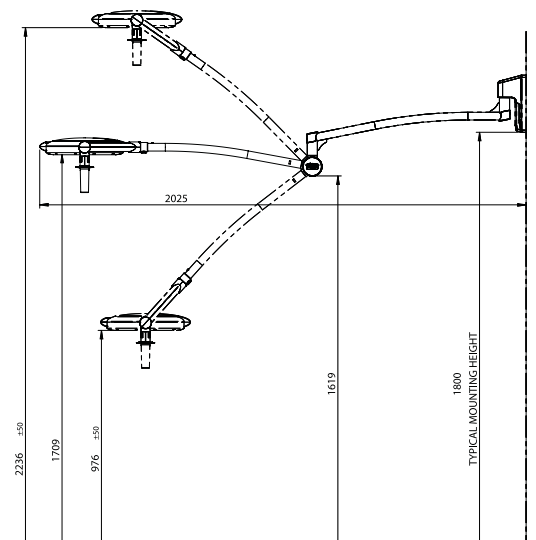
Mobile Model



Battery Model



Wall Model





Light Quality Characteristics	ALED 40	ALED 60
Maximum light intensity	60,000 Lux	100,000 Lux
Power Consumption	< 18 Watts	< 30 Watts
Colour Temperature	4500° K	
Colour Rendition Index Ra	≥ 94	
Colour Rendition (Red) R9	≥ 92	
Beam Size d10	195 mm	
Depth of illumination (L1+L2M, Ec60%)	970 mm	
Beam Uniformity (d50/d10 Ratio)	≥ 0.56	
LED Life	> 50,000 Hours	
Input Volts	100 - 240 Vac 50/60 Hz	

Part Number	Description
ALED40CJ	Astralite <i>plus</i> 40 Minor Surg Ceiling Lamp
ALED40MO	Astralite <i>plus</i> 40 Minor Surg Mobile Lamp
ALED40MEL	Astralite <i>plus</i> 40 Minor Surg Mobile + Epu
ALED40W	Astralite <i>plus</i> 40 Minor Surg Wall Lamp
ALED60CJ	Astralite <i>plus</i> 60 Minor Surg Ceiling Lamp
ALED60MO	Astralite <i>plus</i> 60 Minor Surg Mobile Lamp
ALED60MEL	Astralite <i>plus</i> 60 Minor Surg Mobile + Epu
ALED60W	Astralite <i>plus</i> 60 Minor Surg Wall Lamp
ALED4040T	Astralite <i>plus</i> 4040 Tandem
ALED6040T	Astralite <i>plus</i> 6040 Tandem
ALED6060T	Astralite <i>plus</i> 6060 Tandem
HZS70521	Blue Sterilisable Handle For Astralite <i>plus</i>

Exceeding Standards

Brandon Medical is certified as an ISO 13485 and ISO 9000 manufacturer, the global standard for medical device manufacturers.

Brandon Medical Astralite® *plus* lights meet IEC 60601-1, IEC 60601-1-2 and IEC 60601-2-41



UK Customs
Approved Exporter
Status GB 16164/13



Intertek





Brandon Medical Co Ltd, Elmfield Road, Morley, Leeds, LS27 0EL

T: +44 (0)845 1243 666 F: +44 (0)845 1243 667

T: +44 (0)113 2777 393 F: +44 (0)113 2728 844

E: enquiries@brandon-medical.com

www.brandon-medical.com



In line with the Brandon policy of progressive improvement, the right is reserved to alter specifications and/or pieces without notice.
Brandon Medical, Astralite, HD-LED and Symposia are registered trademarks of Brandon Medical Co Ltd.

30/04/2015 14473 - A1